

## Analog Pressure Indicator

## Model GT409



### UNIVERSAL PRESSURE INDICATOR

The Gentran model GT409 analog indicator/power supply is designed for use with any four leg, 350 ohm Wheatstone bridge pressure transducer. Zero and span can be easily adjusted without removing the module. Shunt calibration is a standard feature.

### EASY TO READ METER

The large 240 degree arc international scale makes the analog meter easy to read. Custom face plates, which have specific engineering units or other markings, can be easily added.

### DUAL ALARM SETPOINTS

Two alarms can be selected for above or below setpoint control. Relays provide N.O. (normally open) and N.C. (normally closed) contacts for maximum flexibility. Adjustments are made through pots on the faceplate.

### VERSATILE

The GT409 provides a choice of recorder outputs, damping constant, transducer sensitivities, input power, shunt-resistor calibrations, peak-hold, and reset options.

### EASY INSTALLATION

The easy-to-mount aluminum housing fits a 1/4 DIN cutout. Slide-type metal brackets hold the case firmly in place and can be installed quickly. The electronic module can be easily removed for option selection or service.

# Ordering Information

## TYPICAL PART NUMBER

GT409 D -10 AB 8 -10K

SERIES GT409 ANALOG PRESSURE INDICATOR	ALARM SETPOINTS		RECORDER OUTPUTS		CONTROL SEQUENCE		SHUNT CALIBRATION		PRESSURE * RANGE	
		None	No setpoints	-1	0-1 VDC	None	None	4	Gentran (200 Kohm)	5C
	D	Dual Setpoints	-2	0-2 VDC	AA	Control I above	7	Gentran (54.9 Kohm)	1K	0-1,000
			-5	0-5 VDC		Control II above			1.5K	0-1,500
			-6	4-20 mA		AB			Control I above	8
			-10	0-10 VDC	Control II below		9	Dynisco (External)	5K	
						BA			Control I below	
					Control II above			15K	0-15,000	
					BB	Control I below				
						Control II below				

(Measurements PSIG)

\* Other ranges available upon request.

## THE GT409: ANALOG PRESSURE INDICATOR

The Gentran model GT409 analog pressure indicator is a combination transducer power supply, indicator, and signal conditioner. It is housed in a 1/4 DIN standard-size case of extruded aluminum, which protects against EMI and RFI noise, heat dispersion, and physical damage. The large 6 inch, 240 degree analog meter is styled for ease of reading and incorporates the new international face.

The GT409 is designed for use with a Gentran pressure transducer or any 4 leg, 350 ohm Wheatstone bridge strain-gage transducer. A calibration pushbutton allows for a quick span check and adjustment when you adjust zero at zero pressure. The complete electronic assembly can be removed and/or replaced from the front without disturbing the wiring in back. Various options are furnished as standard, dip-switch selectable. These options include various recorder outputs, transducer input sensitivity, power supply (120 or 240 VAC), dual setpoints, various calibration resistor values, whether reset on alarms is manual or automatic, and overall response time.

The dual setpoint option can be used to give a preliminary warning before an actual shutdown sequence is initiated. You can program HI/HI, LO/LO, LO/HI, and HI/LO. The relays are isolated during a setpoint change or calibration check to prevent accidental emergency shutdown.

# Specifications: GT409

## PERFORMANCE CHARACTERISTICS

Standard Ranges:

- 0-1,500 psig
- 0-3,000 psig
- 0-5,000 psig
- 0-10,000 psig
- 0-15,000 psig

Special Ranges:

- 0-500 psig
- 0-1,000 psig
- 0-2,000 psig
- Other ranges available upon request.

Accuracy:  $\pm 2.0\%$  of full scale

Recorder Output-

- Accuracy:  $\pm 0.1\%$  of full scale
- Repeatability:  $\pm 0.1\%$  of full scale
- Linearity:  $\pm 0.1\%$  of full scale
- Stability:  $\pm 0.1\%$  of full scale

## PHYSICAL CHARACTERISTICS

Size: 1/4 DIN

Meter: Six (6) inch scale 240 degree arc

Operating Temperature: 0-140°F

Weight: 2.5 lbs.

## ELECTRICAL CHARACTERISTICS

Power: 106-125 or 200-250 VAC, 50/60 hz, 1/8 Amp maximum

Zero Adjustment:  $\pm 35\%$  with panel pot

Sensitivity Adjustment (Span): 1-2.5 mV/V or 2.5-5.0 mV/V, Switch selectable and fully adjustable.

Shunt Resistance Calibration: Selectable for Gentran or Dynisco

Response Time (Damping): Selectable at 0.3 or 5.0 seconds

Recorder Outputs-

Standard: 0-1 VDC, 0-2 VDC, 0-5 VDC & 0-10 VDC

Optional: 4-20 mA, Load from 15-600 ohms

Transducer Power Supply: 8.2 VDC  $\pm 5.0\%$

## CONTROL CHARACTERISTICS

Dual Relays: 2 SPDT (Single Pole Double Throw)

Relay Rating: 8 Amp @ 125/250 VAC, 5 Amp @ 30 VDC

Set Point Range: 1-100% of full scale

Accuracy:  $\pm 0.3\%$  of full scale

Hysteresis:  $\pm 0.5\%$  of full scale

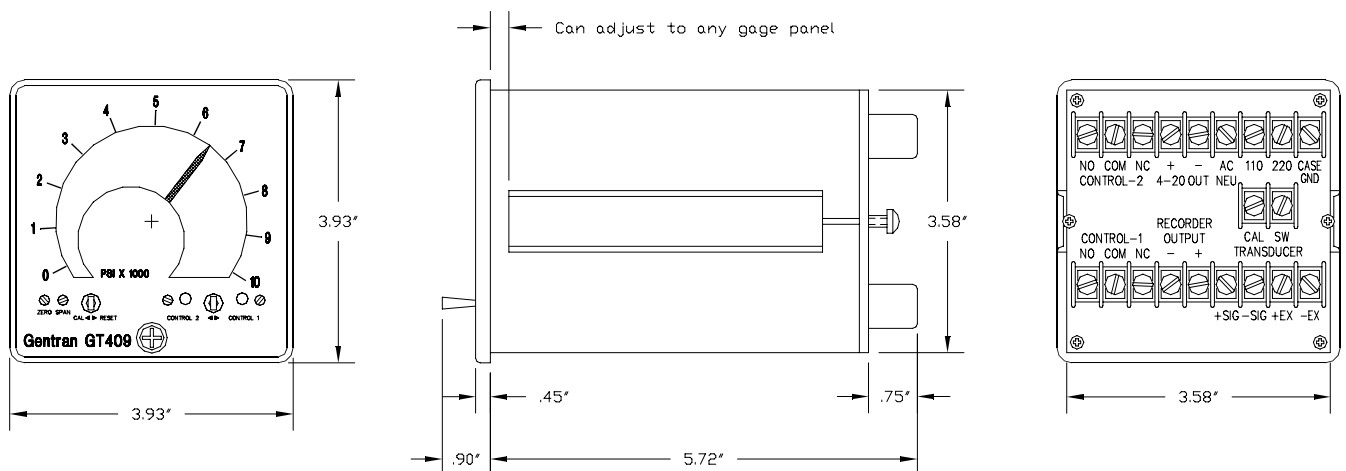
Indication: Front panel LED

Mode: Above or below set point

Reset: Automatic or manual

Peak Hold: Optional

## Dimensions



NOTES:

1 PANEL CUT OUT: 3 5/8" x 3 5/8"